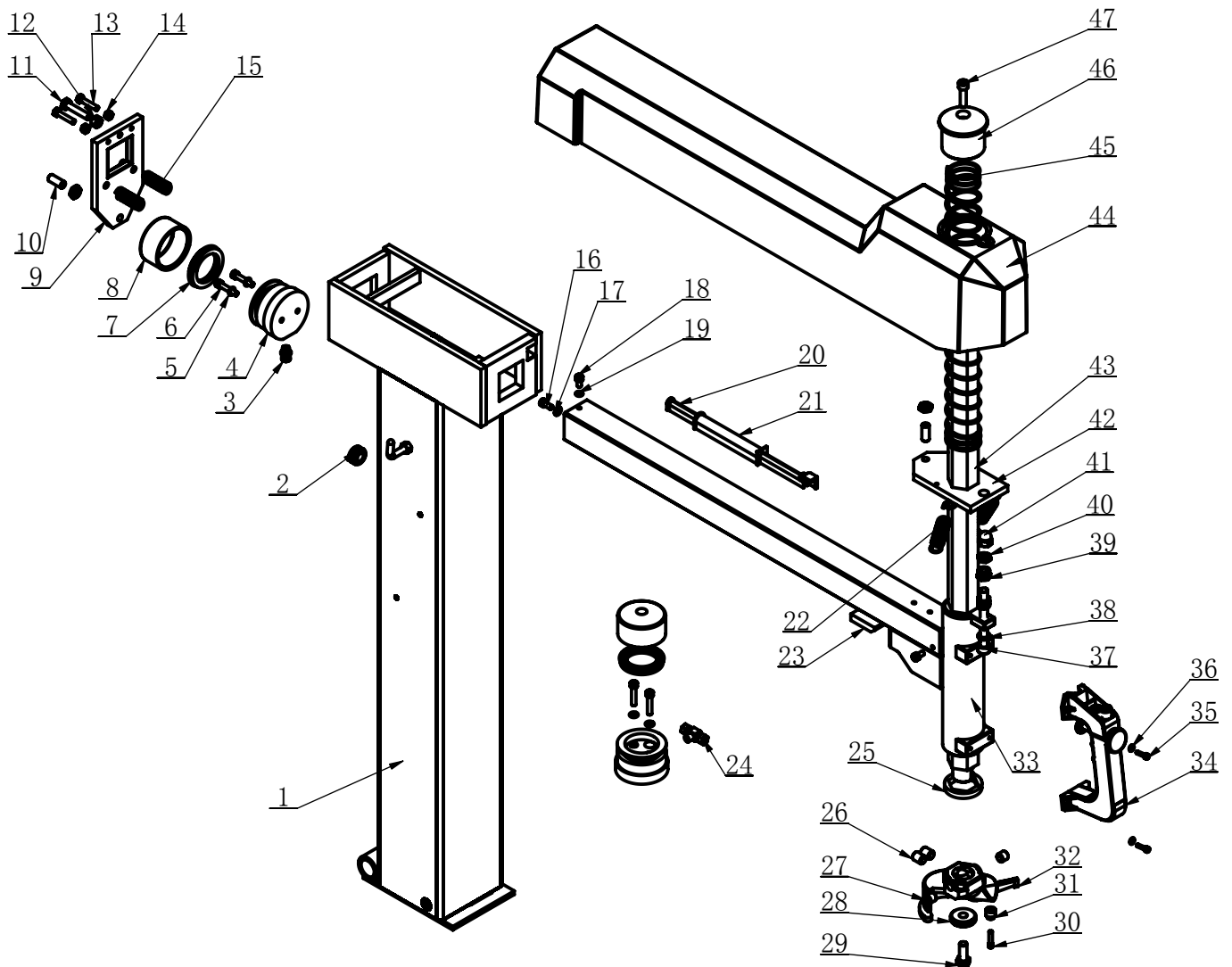
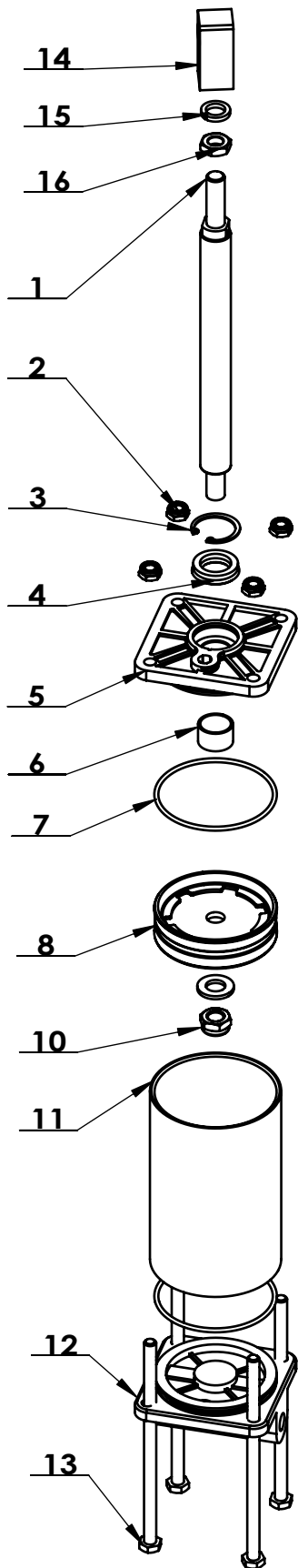


ITEM	QTY.	PART NO.	DESCRIPTION.	ITEM	QTY.	PART NO.	DESCRIPTION.
1	1	5010032	SCREW M12X25	47	3	5010063	SCREW M8X20
2	1	6000106	PRESS COVER	48	1	5010088	SCREW M8X25
3	1	6000130	TURNTABLE ASSEMBLY	49	1	5004092	BRACKET
4	2	5004002	SCREW M8X20	50	1	5004093	GREASE CONTAINER
5	1	6000618	CLAMP RING	51	1	6008091	RUBBER COVER
6	1	6000619	AIR GUIDER ASSEMBLY	52	1	6000308	BEAD BREAKER BLADE
7	2	5004003	SCREW M6X35	53	1	2010030	WASHER
8	2	5010058	WASHER 6	54	1	5010091	WASHER 14
9	1	5006003	STRAIGHT KEY 12X45	55	1	5010090	NUT M14
10	1	5004076	BELT A-26	56	1	6000309	BEAD BREAKER
11	1	6000270	GEARBOX ASSEMBLY	57	1	6000310	SPRING
12	1	6000180	MOTOR ASSEMBLY	58	1	5004073	RUBBER PLATE
13	2	5004004	BOLT M10X160	59	1	5004071	CABLE LOCK M16X1.5
14	13	5004005	WASHER 10	60	1	5004042	NUT M16-N
15	4	5004006	BOLT M10X200	61	1	5004221	BOLT M5X10-N
16	17	5006005	WASHER 10	62	2	5004013	WASHER 5
17	18	5010004	NUT M10	63	2	5010026	WASHER 16
18	1	5004072	PROTECTIVE COVER	64	1	5004014	BOLT M16X100-N
19	8	5010074	SCREW M6X16-N	65	1	5004107	CABLE
20	1	5004111	NUT M18-N	66	2	5006007	SCREW M5X12
21	1	6000013	BEAD BREAKER CYLINDER ASSEMBLY	67	1	5004100	CUSHION BUSHING
22	5	5004220	SCREW M6X10-N	68	2	6000543	BOLT
23	1	6010006	PROTECTIVE ROD	69	1	5006001	NUT M10
24	2	5004008	NUT M6	70	2	5002060	NUT M8
25	1	6000538	PROTECTIVE COVER	71	2	5004015	CIRCLIP 12
26	1	6000307	PEDAL ASSEMBLY	72	1	6000540	PIN SHAFT
27	1	6000537	SIDE PANEL	73	1	6000070	PULL-OUT CYLINDER D80X80
28	2	5010006	WASHER 10	74	1	6000601	PULL-OUT SHAFT
29	2	5010064	SCREW M10X25	75	2	5004027	CIRCLIP 3673-4 - S016M
30	1	6000546	BODY	76	1	6000582	HORIZONTAL ARM
31	16	5010043	WASHER 6	77	2	5004046	WASHER 8
32	1	6005032	CONNECTION ROD	78	1	5004059	OIL CUP M6
33	2	5004074	WASHER $\Phi 30 \times \Phi 10 \times 15$	79	1	5004098	INFLATING GUN
34	1	5010041	BOLT M10X50	80	1	5004075	OPEN NUT
35	2	5004044	BOLT M8X45-N	81	1	5004099	INFLAING HOSE
36	2	5004011	BOLT M16X25	82	1	5004245	AIE REGULATOR ASSEMBLY
37	2	6000599	WASHER				
38	1	6000600	ROTATION SHAFT				
39	1	5004070	SEALED COVER				
40	2	5000086	NUT M14				
41	2	5010012	SCREW M14X42				
42	1	5004103	RUBBER BLOCK				
43	4	6000545	HELPER RUBBE PLUG				
44	4	5004102	RUBBER FOOT				
45	1	5004094	CROWBAR				
46	1	5004093	RUBBER PAD PLATE				

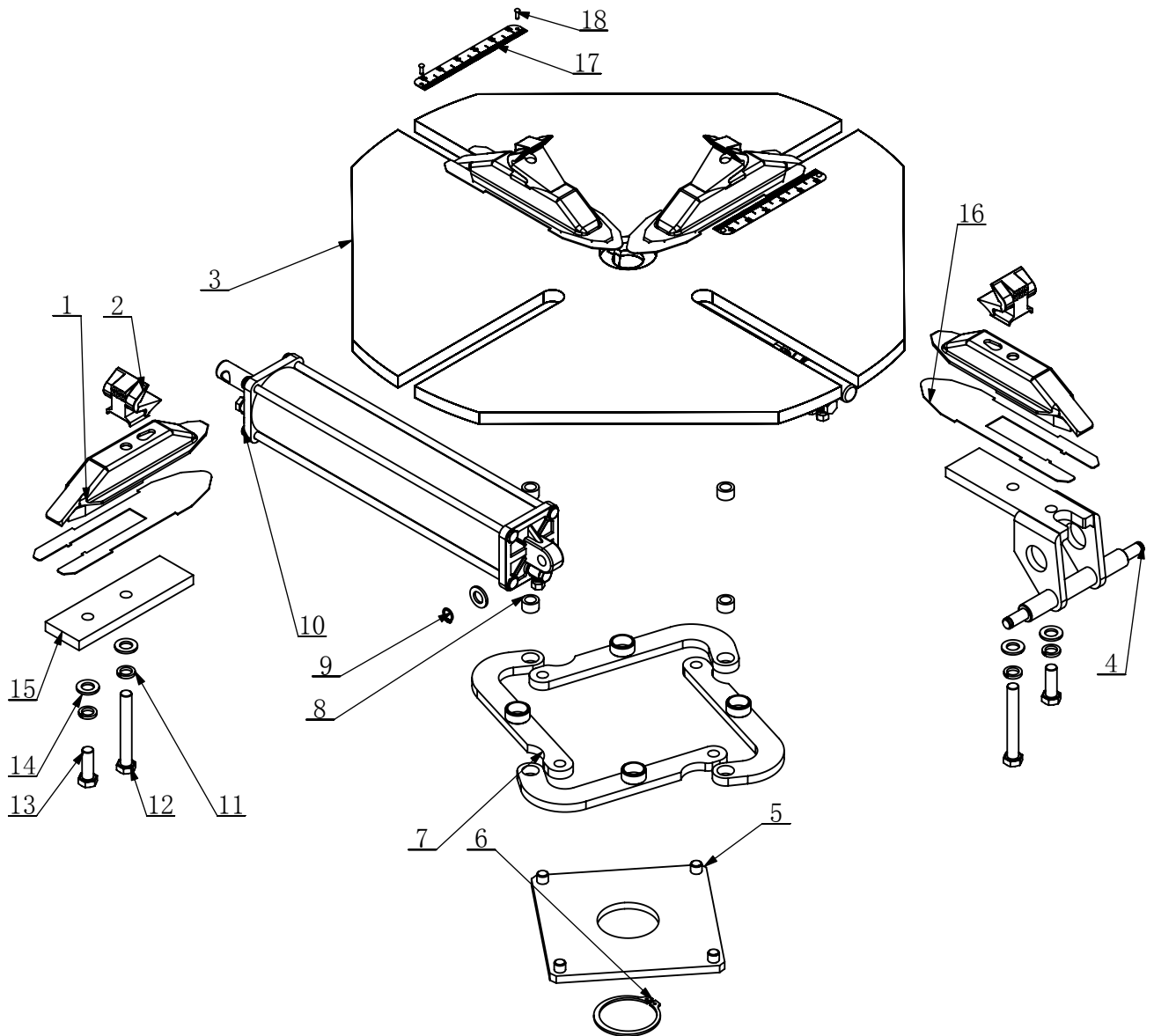


ITEM	QTY.	PART NO.	DESCRIPTION.	ITEM	QTY.	PART NO.	DESCRIPTION.
1	1	6000570	VERTICAL COLUMN	25	1	5004115	SHOCK ABSORBER WASHER
2	1	5004068	STOP-UP	26	2	5004023	SCREW M12X16-N
3	1	5010060	INSERT FITTING $\Phi 6$, R1/8"	27	2	5004021	SCREW M12X12-N
4	2	6000594	LOCK CYLINDER BODY	28	1	5004201	PRESS WASHER
5	4	5004232	O-RING 10X2	29	1	5004020	BOLT M10X25
6	4	5004061	SCREW M6X30-N	30	1	5004116	ROLLER BOLT
7	2	5004114	Y-RING $\Phi 65 \times 8$	31	1	5004117	ROLLER
8	2	6000593	LOCK CYLINDER COVER	32	1	5004118	DEMOUNTING HEAD
9	1	6000595	SQUARE LOCK PLATE	33	1	6000583	HORIZONTAL ARM
10	2	5004019	SCREW M10X25-N	34	1	5004119	HANDLE CONTROLLING VALVE
11	1	5004016	BOLT M8X40	35	4	5010218	SCREW M4X16-N
12	1	5002060	NUT M8	36	4	5010040	WASHER 4
13	2	5004017	BOLT M6X30-N	37	1	5004026	SCREW M10X90-N
14	2	5004008	NUT M6	38	1	5010006	WASHER 10
15	2	6000598	PRESS SPRING	39	2	5006001	NUT M10
16	1	5004001	SCREW M6X12-N	40	3	5004018	NUT M10-N
17	1	5000007	WASHER 6	41	1	5004025	NUT M10-N
18	3	5004220	SCREW M6X10-N	42	1	6000590	HEXAGON LOCK PLATE
19	1	5010058	WASHER 6	43	1	6000589	HEXAGON SHAFT
20	1	6000605	PIPE GUIDER	44	1	6000588	PROTECTIVE COVER
21	1	6000606	PIPE GUIDER	45	1	6000604	VERTICAL SHAFT SPRING
22	2	6000591	SPRING	46	1	5004200	VERTICAL SHAFT COVER
23	1	6000592	POSITIONING BLOCK	47	1	5004060	SCREW M8X30-N
24	1	5004069	TEE R1/8"-6				

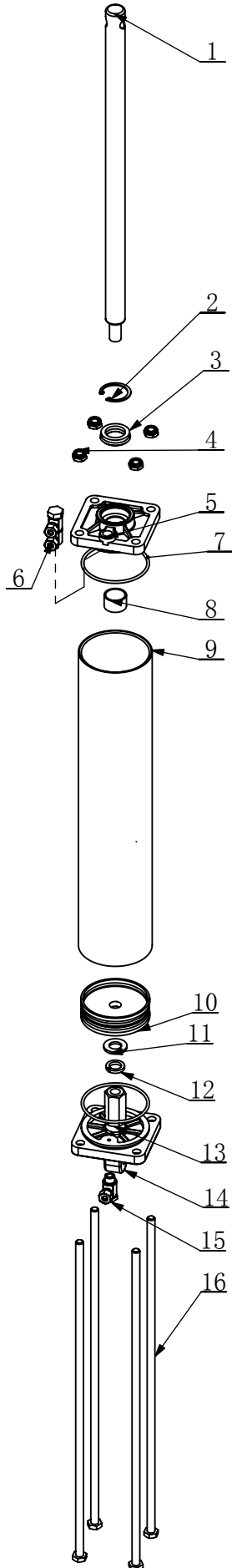


ITEM	QTY.	PART NO.	DESCRIPTION.
1	1	6000073	SHAFT-CYLNDR
2	4	5010003	TORQUE NUT M8
3	1	5010024	CIRCLIPS FOR HOLES 30
4	1	6000044	SEAL-ROD, CYLNDR
5	1	6000045	CAP-TOP, CYLNDR
6	1	6000008	BEARING-SLVE
7	2	5010027	O-RINGS 75X2.65
8	1	6000047	PISTON-W/WSHR, ASSY
9	1	5000021	PLAIN WASHERS 12
10	1	5010022	TORQUE NUT M12
11	1	6000071	CYLINDER
12	1	6000074	CAP-BASE, CYLNDR
13	4	6000072	BOLT-TIE, CYLNDR
14	1	6000075	SHAFT CONNECT
15	1	5010025	SPRING LOCK WASHERS 12
16	1	5014025	NUT M12

6000130 TABLE TOP ASSEMBLY
6000145 TABLE TOP ASSEMBLY(COMPRISE16 17 18)

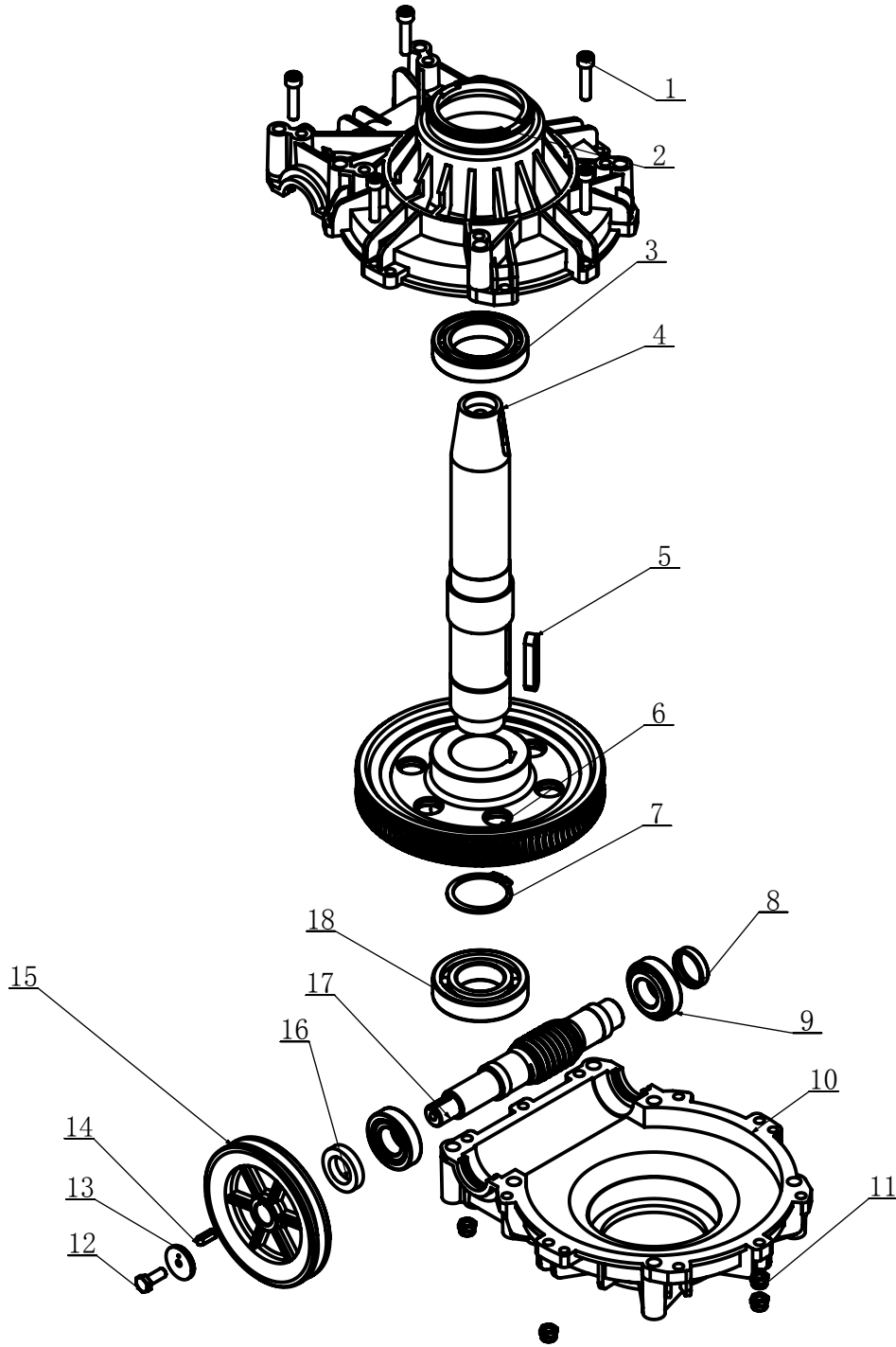


ITEM	QTY.	PART NO.	DESCRIPTION.
1	4	6000131	CARRIER/COVER-CLAMP
2	4	6000107	CLAMP
3	1	6000132	PLATE-F
4	2	6000133	BRACKET-CYLINDER
5	1	6000105	PLATE-PIVOT
6	1	5010030	CIRCLIPS FOR SHAFT 65
7	4	6000135	CONNECT PLATE ASSEMBLY
8	4	6000109	PULL BOARD SHEATH
9	4	5010034	CIRCLIPS FOR SHAFT 12
10	2	6000020	CYLINDER ASSEMBLY
11	8	5010025	SPRING LOCK WASHERS 12
12	4	5010031	HEXAHON HEAD BOLTS M12X90
13	4	5010033	HEX HESD BOLTS M12X35
14	12	5010020	PLAIN WASHERS 12
15	2	6000134	PRESS BOARD
16	4	6000146	WEAR-RESISTANCE SPACER
17	2	6000147	SCALE
18	4	5010039	RIVETS FOR NAME PLATE 3X10

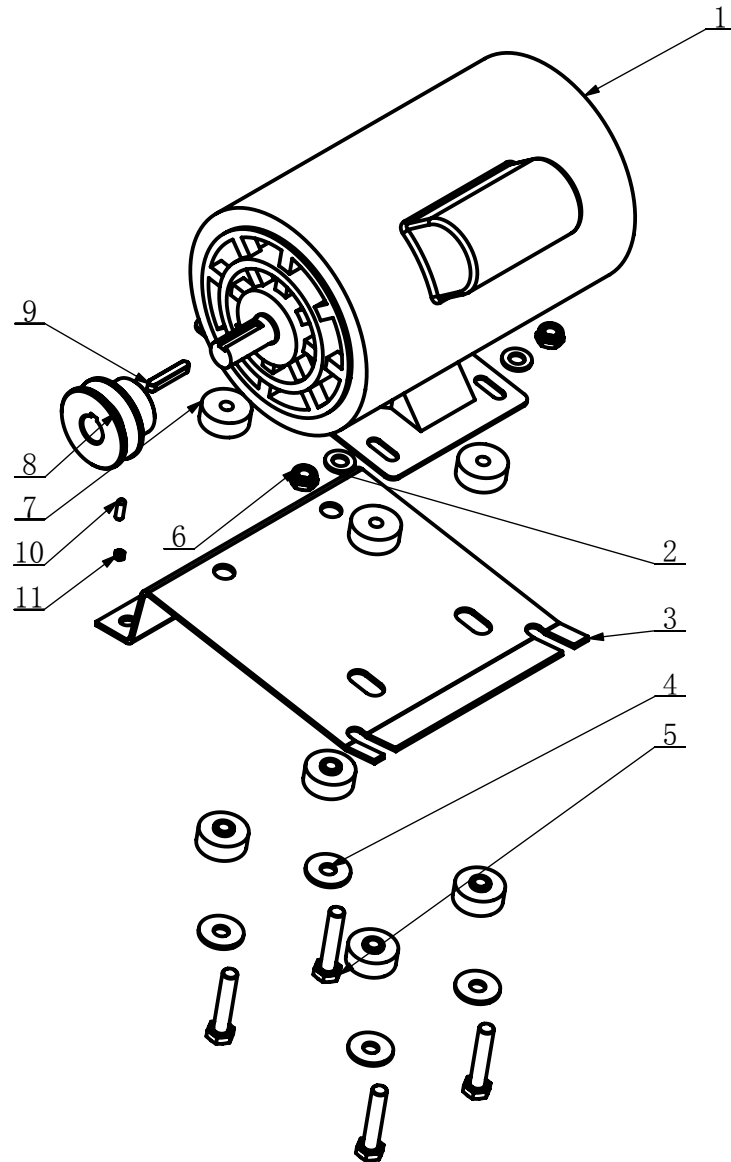


ITEM	QTY.	PART NO.	DESCRIPTION.
1	1	6000021	SHAFT-CYLNR
2	1	5010024	CIRCLIP 30
3	1	6000007	SEAL-ROD, CYLNR
4	4	5010003	NUT M8
5	1	6000004	FRONT COVER
6	1	6000010	HINGE TEE
7	2	5010021	O RING 65X2.65
8	1	6000008	BEARING-SLIDE
9	1	6000022	SLEEVE-CYLNR 70
10	1	6000011	PISTON-W/WSHR, ASSY
11	1	5000021	WASHER 12
12	1	5010025	WASHER 12
13	1	6000023	NUT 12
14	1	6000003	REAR COVER
15	1	6000009	HINGE ELBOW
16	4	6000024	BOLT

6000351 GEARBOX ASSEMBLY



ITEM	QTY.	PART NO.	DESCRIPTION.
1	5	5010209	SCREW M8X35
2	1	6000353	GEARBOX TOP
3	1	5010002	ROLLING BEARING 6010
4	1	6000352	WORM SHAFT
5	1	5010111	PLAIN KEY 12X55
6	1	6000354	WORM
7	1	5010001	CIRCLIP 50
8	1	6000355	CAP 40X25X8
9	2	5000015	ROLLING BEARING 30205
10	1	6000356	GEARBOX BASE
11	5	5010092	PREVAILING TORQUE M8
12	1	5010077	BOLT M8X20
13	1	5010210	RING 30
14	1	5010080	PLAIN KEY 6X20
15	1	6000275	BELT PULLEY
16	1	5010208	SEAL
17	1	6000273	WORM ROD
18	1	5010076	BEARING 6208

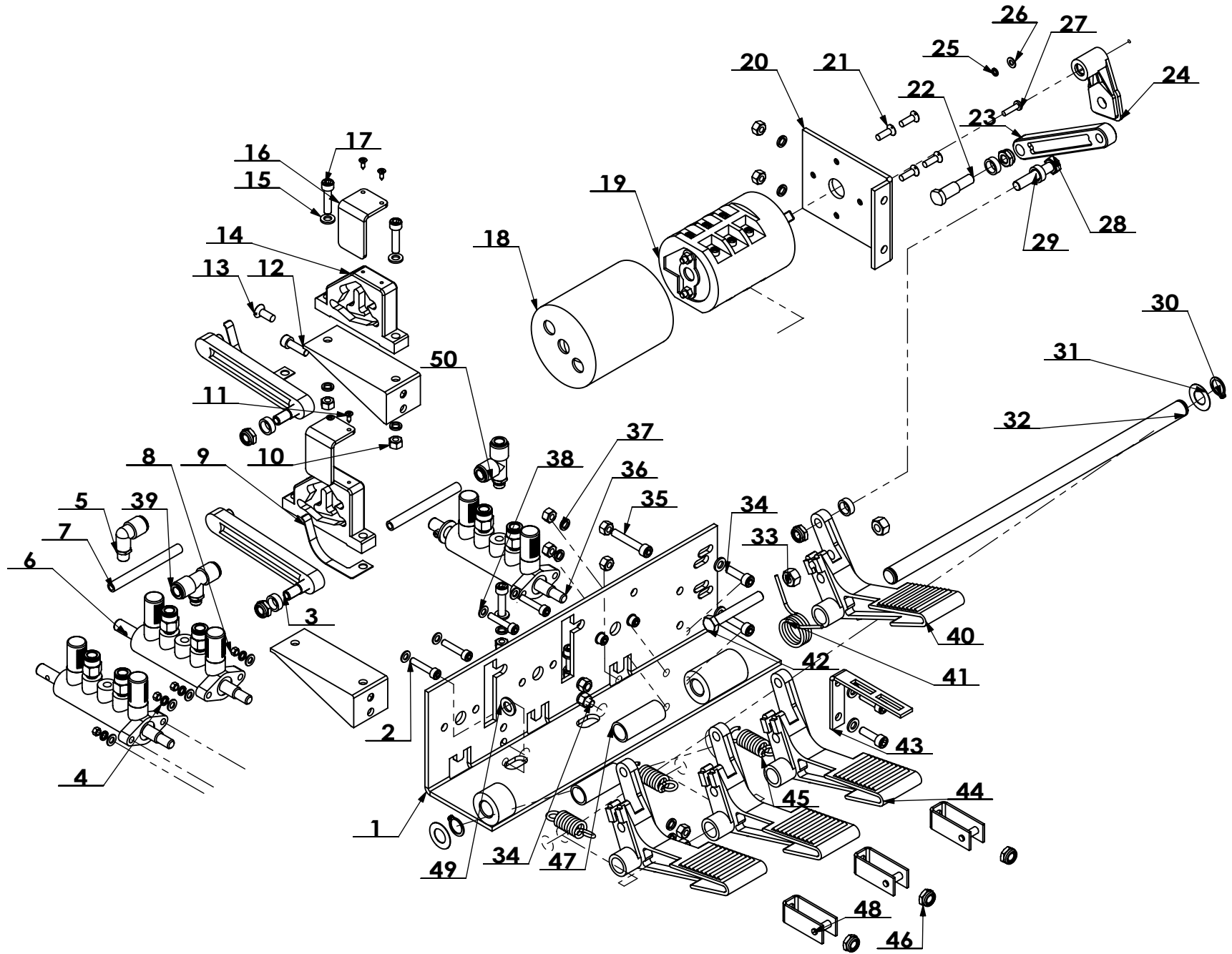
6000180 MOTOR ASSEMBLY

ITEM	QTY.	PART NO.	DESCRIPTION.
1	1	6000181	MOTOR AC220V, 1.1kW, 50Hz
2	4	5004041	WASHER 10
3	1	6000182	MOTOR SUPPORT
4	4	5004005	WASHER 10
5	4	5010041	BOLT M10X50
6	4	5010043	NUT M10
7	8	6000183	RUBBER WASHER
8	1	6000184	MOTOR BELT PULLEY
9	1	5010056	PLAIN KEY 6X36
10	1	5010232	SCREW M5X16
11	1	5011008	NUT M5

T-D.04.00

6000307 PEDAL ASSEMBLY

REVISION A-07



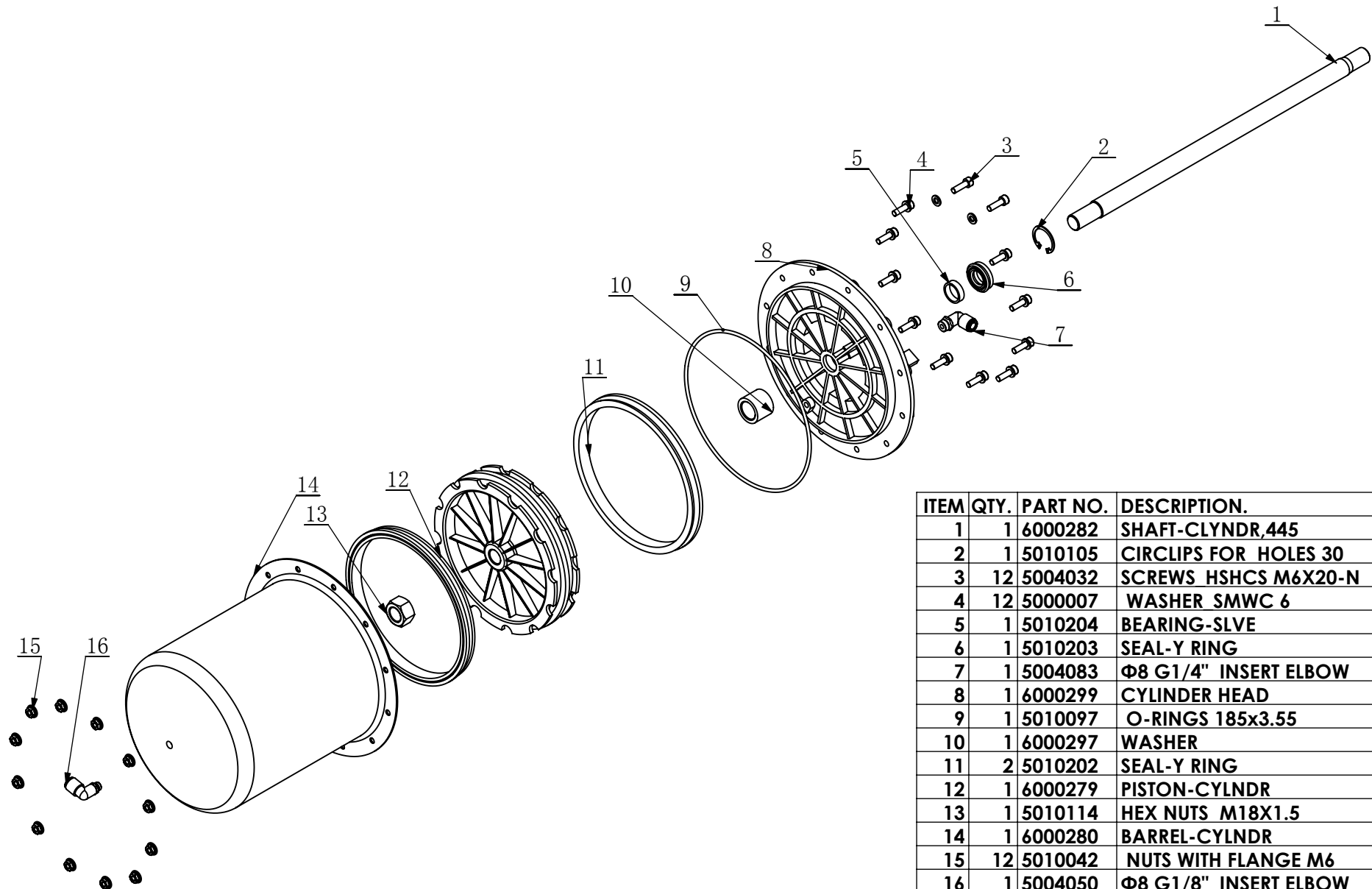
T-D.04.00

6000307 PEDAL ASSEMBLY

REVISION A-07

ITEM	QTY.	PART NO.	DESCRIPTION.	ITEM	QTY.	PART NO.	DESCRIPTION.
1	1	6000400	PEDAL SUPPORT	35	1	5004031	SCREW M6X35
2	6	5004063	SCREW M5X25-N	36	1	6000227	VALVE-A
3	2	5010223	CONNECTION ROD	37	13	5010058	WASHER 6
4	6	5004045	WASHER 5	38	12	5010045	WASHER 5
5	1	6000219	INSERT ELBOW D8, R1/8	39	1	6000218	INSERT TEE, 8MM, R1/8
6	2	6000222	VALVE-B	40	1	6000391	PEDAL
7	2	5010049	HOSE 8-5MM	41	1	6000220	TORSION SPRING
8	6	5011008	NUT M5	42	1	5004035	BOLT M8X55
9	2	6000204	FORK SPRING PLATE	43	1	6000203	TORSION SPRING BRACKET
10	14	5004008	NUT M6	44	3	6000214	PEDAL
11	4	5010224	SCREW ST2. 9X9.5	45	3	6000216	SPRING
12	2	6000201	CAM BRACKET	46	7	5010003	NUT M8
13	2	5011003	SCREW M6X16	47	2	6000208	SPACER
14	2	6000211	CAM	48	3	6000398	BRACKET
15	8	5000007	WASHER 6	49	1	5000018	WASHER 8
16	2	6000217	CAM PLATE	50	1	5010059	FITTING-TEE Φ 8, R1/8"
17	4	5006006	SCREW M6X25				
18	1	6000215	SWITCH COVER				
19	1	5010055	SWITCH				
20	1	6000213	SWITCH SUPPORT				
21	4	5010126	SCREW M5X16				
22	1	6000209	ROTATION SHAFT				
23	1	6000210	CONNECTION ROD				
24	1	6000212	REVERSE LEVER				
25	1	5000068	WASHER 4				
26	1	5010040	WASHER 4				
27	1	5010113	SCREW M4X16				
28	1	5004036	BOLT M8X40				
29	5	6000205	SPACER				
30	2	5010053	CIRCLIP 14				
31	2	6000228	WASHER-12x0.5				
32	1	6000390	BOTTOM SHAFT				
33	2	5002060	NUT M8				
34	6	5004032	SCREW M6X20-N				

6000016 BEAD BREAKING CYLINDER ASSEMBLY



ITEM	QTY.	PART NO.	DESCRIPTION.
1	1	6000282	SHAFT-CLYNDR,445
2	1	5010105	CIRCLIPS FOR HOLES 30
3	12	5004032	SCREWS HSHCS M6X20-N
4	12	5000007	WASHER SMWC 6
5	1	5010204	BEARING-SLVE
6	1	5010203	SEAL-Y RING
7	1	5004083	Φ8 G1/4" INSERT ELBOW
8	1	6000299	CYLINDER HEAD
9	1	5010097	O-RINGS 185x3.55
10	1	6000297	WASHER
11	2	5010202	SEAL-Y RING
12	1	6000279	PISTON-CYLNDR
13	1	5010114	HEX NUTS M18X1.5
14	1	6000280	BARREL-CYLNDR
15	12	5010042	NUTS WITH FLANGE M6
16	1	5004050	Φ8 G1/8" INSERT ELBOW